

Sheet metal hinges

Stainless Steel / Steel, extended, horizontally elongated

SPECIFICATION

Types

- Type **A**: without bores (only in Stainless Steel NI)
- Type **B**: with through-holes
- Type **C**: with countersunk holes

Version in Steel

Steel ST

- only type B and C
- zinc plated, blue passivated

Pin, Stainless Steel AISI 304, riveted

Version in Stainless Steel

Stainless Steel AISI 304 NI

all types

Pin, Stainless Steel AISI 304, riveted



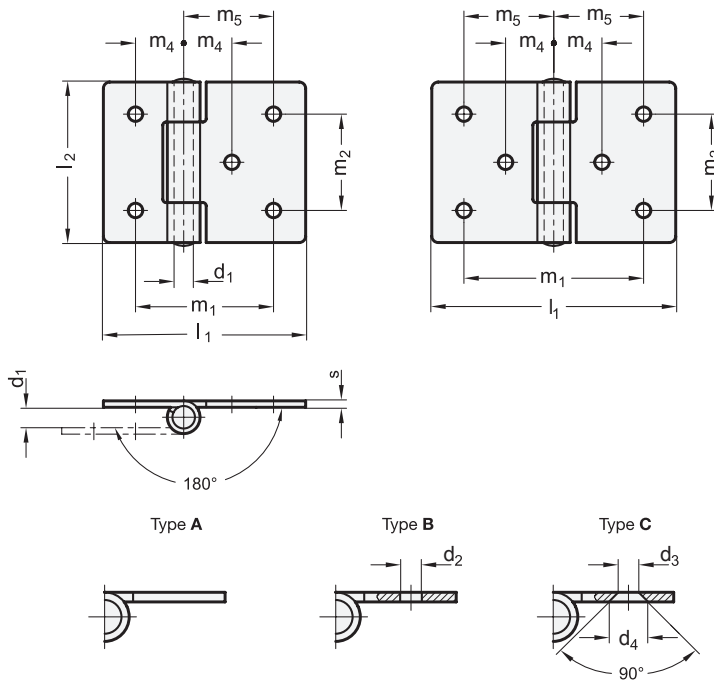
INFORMATION

GN 136 sheet metal hinges are available in many different versions and are suitable for light to medium-duty applications.

Type A can be fixed in place by welding or by using holes made by the customer.

TECHNICAL INFORMATION

- Stainless Steel characteristics (see page A26)
- Load rating information of hinges (see page A40)
- List of hinges types (see page 1362)





Hinges and accessories 12

GN 136-ST-extended

Description	l1	l2	d1	d2	d3	d4	m1	m2	m4	m5	s	⚖
GN 136-ST-45-30-B	45	30	3	3.2	-	-	33	18	9	-	1.5	19
GN 136-ST-60-30-B	60	30	3	3.2	-	-	48	18	9	24	1.5	25
GN 136-ST-60-40-B	60	40	4	4.2	-	-	45	25	12.5	-	2	46
GN 136-ST-75-50-B	75	50	6	5.2	-	-	55	30	15	-	2	80
GN 136-ST-80-40-B	80	40	4	4.2	-	-	65	25	12.5	32.5	2	58
GN 136-ST-90-60-B	90	60	6	5.2	-	-	66	36	18	-	2	108
GN 136-ST-100-50-B	100	50	6	5.2	-	-	80	30	15	40	2	99
GN 136-ST-120-60-B	120	60	6	5.2	-	-	96	36	18	48	2	137
GN 136-ST-45-30-C	45	30	3	-	4	6.4	33	18	9	-	1.5	18
GN 136-ST-60-30-C	60	30	3	-	4	6.4	48	18	9	24	1.5	24
GN 136-ST-60-40-C	60	40	4	-	5	8.3	45	25	12.5	-	2	45
GN 136-ST-75-50-C	75	50	6	-	5	8.3	55	30	15	-	2	79
GN 136-ST-80-40-C	80	40	4	-	5	8.3	65	25	12.5	32.5	2	57
GN 136-ST-90-60-C	90	60	6	-	5	8.3	66	36	18	-	2	107
GN 136-ST-100-50-C	100	50	6	-	5	8.3	80	30	15	40	2	98
GN 136-ST-120-60-C	120	60	6	-	5	8.3	96	36	18	48	2	135

GN 136-NI-extended

STAINLESS STEEL

Description	l1	l2	d1	d2	d3	d4	m1	m2	m4	m5	s	⚖
GN 136-NI-45-30-A	45	30	3	-	-	-	33	18	9	-	1.5	20
GN 136-NI-60-30-A	60	30	3	-	-	-	48	18	9	24	1.5	25
GN 136-NI-60-40-A	60	40	4	-	-	-	45	25	12.5	-	2	47
GN 136-NI-75-50-A	75	50	6	-	-	-	55	30	15	-	2	81
GN 136-NI-80-40-A	80	40	4	-	-	-	65	25	12.5	32.5	2	59
GN 136-NI-90-60-A	90	60	6	-	-	-	66	36	18	-	2	111
GN 136-NI-100-50-A	100	50	6	-	-	-	80	30	15	40	2	99
GN 136-NI-120-60-A	120	60	6	-	-	-	96	36	18	48	2	139
GN 136-NI-45-30-B	45	30	3	3.2	-	-	33	18	9	-	1.5	19
GN 136-NI-60-30-B	60	30	3	3.2	-	-	48	18	9	24	1.5	25
GN 136-NI-60-40-B	60	40	4	4.2	-	-	45	25	12.5	-	2	46
GN 136-NI-75-50-B	75	50	6	5.2	-	-	55	30	15	-	2	80
GN 136-NI-80-40-B	80	40	4	4.2	-	-	65	25	12.5	32.5	2	58
GN 136-NI-90-60-B	90	60	6	5.2	-	-	66	36	18	-	2	90
GN 136-NI-100-50-B	100	50	6	5.2	-	-	80	30	15	40	2	99
GN 136-NI-120-60-B	120	60	6	5.2	-	-	96	36	18	48	2	137
GN 136-NI-45-30-C	45	30	3	-	4	6.4	33	18	9	-	1.5	19
GN 136-NI-60-30-C	60	30	3	-	4	6.4	48	18	9	24	1.5	24
GN 136-NI-60-40-C	60	40	4	-	5	8.3	45	25	12.5	-	2	44
GN 136-NI-75-50-C	75	50	6	-	5	8.3	55	30	15	-	2	78
GN 136-NI-80-40-C	80	40	4	-	5	8.3	65	25	12.5	32.5	2	56
GN 136-NI-90-60-C	90	60	6	-	5	8.3	66	36	18	-	2	108
GN 136-NI-100-50-C	100	50	6	-	5	8.3	80	30	15	40	2	96
GN 136-NI-120-60-C	120	60	6	-	5	8.3	96	36	18	48	2	134